



●●●●●● STANDARD RANGE

# CondiCap range

Premium dispensing closures



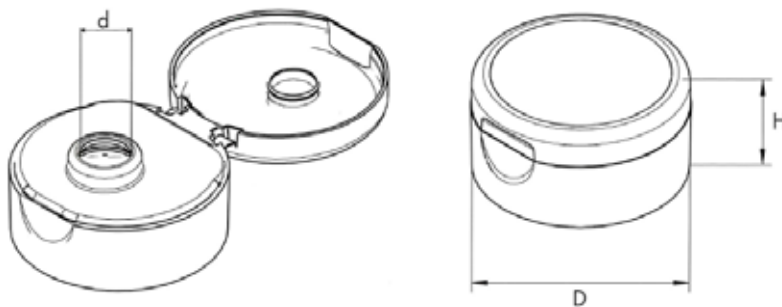
# CondiCap range

## Premium dispensing closures

Weener Plastics' CondiCap closures aim to be a purchaser's first choice for a high-quality dispense of condiments like sauces, ketchup, mustard and many other Food applications. The CondiCaps also allow an efficient dispense of Personal Care or Home Care formulations.

Premium quality and an excellent dispense are the key characteristics of the CondiCaps. They have a distinctive yet functional design and can be easily processed on high-speed filling lines. The lid can be opened and closed conveniently thanks to the solid Weener hinge. The collection comes in various diameters, threads, spout options, orifice sizes and induction sealable liners.

CondiCaps are also available with Weener's patented **CleanSqueeze technology**. This non-dripping and self-closing silicon valve solution guarantees a clean and perfect dosage adapted to the market needs. The innovative valve can be modified or customized according to customer needs.



### Unique Benefits

- High-quality dispensing closures
- Reliable dosing
- Broad range with various specifications
- Solid Weener hinge
- Suitable for many different viscosities and applications
- Valve and non-valve orifices
- Optimized weight

### Specifications

- Screw-on application
- 3 different GCMI threads
- Material PP
- Suitable for Food, Personal Care and Home Care applications

### Options

- Customized designs
- Induction sealable liners
- Decorations

## CondiCap versions

GCMI thread	28/400	33/400		38/400		
D - outer diameter	1 1/2" [30 mm]	1 3/8" [34 mm]	2" [48 mm]	1 5/8" [40 mm]	2" [48 mm]	2 1/8" [55 mm]
H - height (total)	0.67" [16.9 mm]	0.72" [18.3 mm]	0.97" [24.7 mm]	0.75" [19 mm]	0.97" [24.7 mm]	0.96" [24.5 mm]
d - orifice diameter						
d = 0.125" [3.175 mm]	#4891					
d = 0.25" [6.35 mm]	#4766	#4681		#4677		
d = 0.375" [9.525 mm]		#4682		#4678		
d = 0.5" [12.75 mm]		#4683		#4679	#4687	
CleanSqueeze (valve)			#4730		#4667	#4669
Surface finish	high-gloss	high-gloss		high-gloss		
Base of cap ribbed	no	yes	no	yes	no	no